

# RAPIDE™

**DIRECT ATTACH COPPER CABLES (DAC)**

Pactech's latest **Rapide™ DAC Cable Series** presents the cutting-edge high-speed copper Ethernet interconnect solutions for switches, servers, and storage in data center:

- Proprietary PCB termination for superior impedance and crosstalk control
- Eliminate crosstalk and source jitter, and ultra-low insertion loss
- 360° shielding for superior EMI/EMC performance
- High performance with validation on rich set of test data
- Patented latching mechanism for easy engagement and disengagement
- Small bend radius for high-density bundling
- Smallest die-cast back shell in the market for better space saving management
- Snag-proof pull tab and strain relief connectors reduce mechanical stress

**PACTECH**  
**RAPIDE II™**  
**SERIES**

Direct Attach Copper (DAC)  
 (10G/25G/40G/100G/200G)

### Innovative Production with Modular Automation

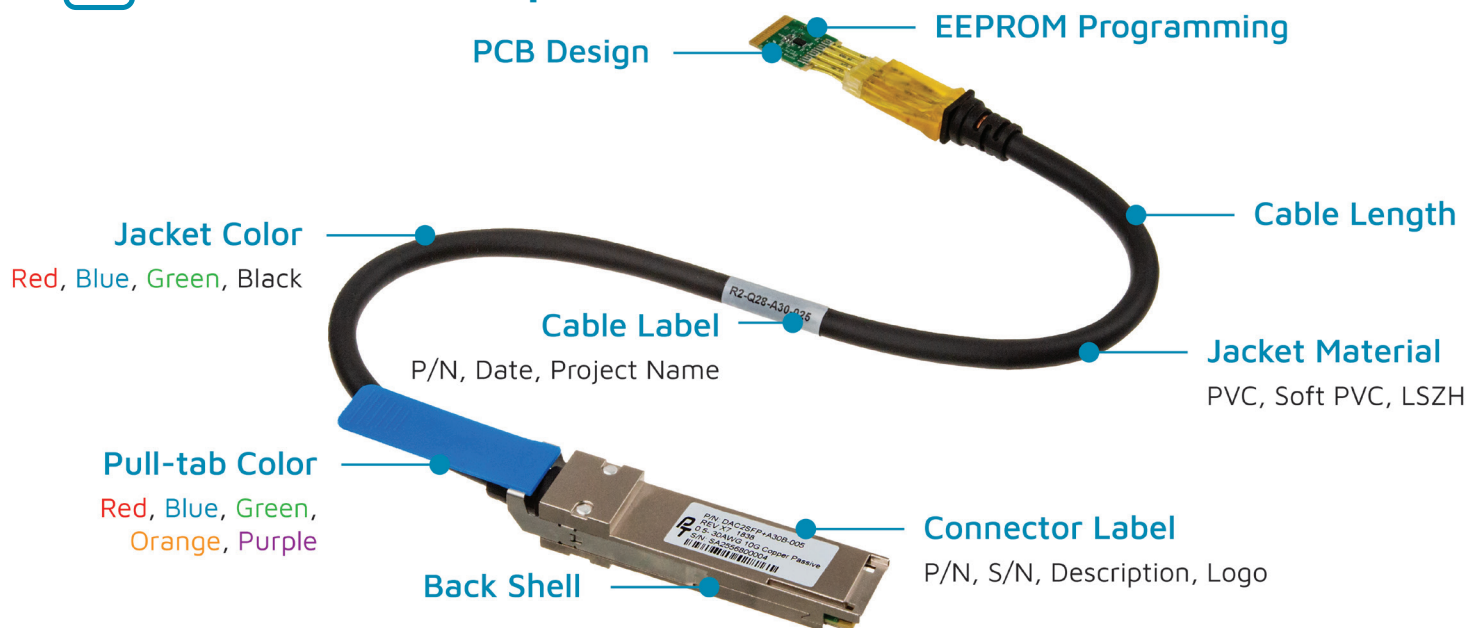


- **Quality:** High-performance with superior signal integrity, Efficient Design, Ultra Slim and Lightweight DAC
- **Consistency:** High precision process, High yield on First Pass, Low-Temperature soldering
- **Delivery:** High production throughput, accept compatible key components from different sources
- Availability of **Customization** options with neither premium pricing nor long lead time.

### COMPETITIVE ADVANTAGES FOR NPI/OEM

- **Cost Savings**
- **High-Performance Consistency**
- **Short Lead Times (3+ weeks)**
- **Customizations**

### Customization Options



ADDITIONAL CUSTOMIZATIONS  
**Bundling & Packaging**

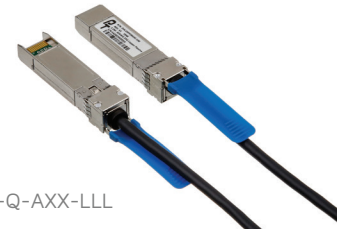
# PACTECH RAPIDE II™ PRODUCTS

100G QSFP28 DAC Cable



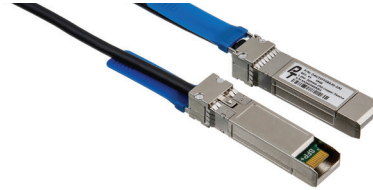
P/N: R2-Q28-AXX-LLL

40G QSFP+ DAC Cable



P/N: R2-Q-AXX-LLL

25G SFP28 DAC Cable



P/N: R2-S28-AXX-LLL

10G SFP+ DAC Cable



P/N: R2-S-AXXX-LLL

100G QSFP28 to 4x SFP28  
Breakout DAC Cable



P/N: R2-Q28-4-AXX-LLL

40G QSFP+ to 4x SFP+  
Breakout DAC Cable



P/N: R2-Q-4-AXX-LLL

# PACTECH RAPIDE I™ PRODUCTS

100G QSFP28 DAC Cable



P/N: DAC-QSFP28-LLL

40G QSFP+ DAC Cable



P/N: DAC-QSFP+C75-LL

25G SFP28 DAC Cable



P/N: DAC-SFP28-LLL

10G SFP+ DAC Cable



P/N: DAC-SFP+B58-XLLL

100G QSFP28 to 4x SFP28  
Breakout DAC Cable



P/N: DAC-QSFP28-4-LLL

40G QSFP+ to 4x SFP+  
Breakout DAC Cable



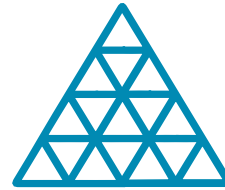
P/N: DAC-QSFP+4X-L.L

\*XX=AWG

\*\*L.L/LLL=Length

# PACTECH RAPIDE I™ SERIES

Passive DAC Cable  
(10G/25G/40G/100G)



**Stocking Capacity**  
Standard lengths readily available



**Logistics Capability**  
Supports shipping to most locations worldwide with  
global logistics centers

## CONTACT US

[pactech-inc.com](http://pactech-inc.com)

### HEAD OFFICE

Toll-free: +1 (866) 722-8324  
Phone: +1 (408) 526-9363  
Fax: +1 (408) 526-1233  
Email: [sales@pactech-inc.com](mailto:sales@pactech-inc.com)  
Address: 2260 Trade Zone Blvd.  
San Jose, CA. 95131

### HONG KONG DISTRIBUTOR

**BESTRONICS**

Phone: +852 2243-5566  
Email: [sales@hkbestronics.com](mailto:sales@hkbestronics.com)  
Address: Room 19, 10/F, Kam Hon Industrial  
Building, 8 Wang Kwun Road,  
Kowloon Bay, Kowloon, Hong Kong

### REGIONAL

USA & Canada: [sales@pactech-inc.com](mailto:sales@pactech-inc.com)  
HK & Macau: [hksales@pactech-inc.com](mailto:hksales@pactech-inc.com)  
China: [chinasales@pactech-inc.com](mailto:chinasales@pactech-inc.com)  
Taiwan: [taiwansales@pactech-inc.com](mailto:taiwansales@pactech-inc.com)  
South Korea: [koreasales@pactech-inc.com](mailto:koreasales@pactech-inc.com)

### INTERNATIONAL

International: [intlsales@pactech-inc.com](mailto:intlsales@pactech-inc.com)  
APAC: [apacsales@pactech-inc.com](mailto:apacsales@pactech-inc.com)  
EMEA & Latin America: [laesales@pactech-inc.com](mailto:laesales@pactech-inc.com)

 **pactech**  
Data Center & Custom Cable Solutions