



FLEXNET CABLING SOLUTIONS™

PACTECH FLEXNET CABLING SOLUTIONS

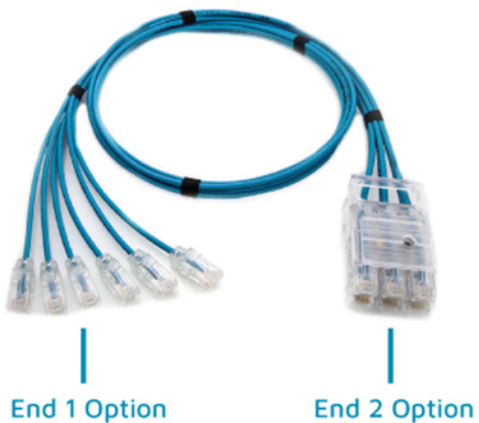
Pactech FlexNet copper cabling solution™ is ideal for the use of building structured data communication and data center infrastructure. The cable bundles will connect and transfer data among switch ports, patch panels, servers and storage for in-rack, in-row or row-to-row applications. These trunks are pre-terminated and 100% pre-tested for performance consistency, running a distance up to 24 meters for 1G and 10G applications.

In each case, the fast deployment of all single cables within the same bundle can save time and reduce cost of labor for termination, troubleshooting and loop testing on-site. We will fully certify the end-to-end connection and performance if you use FlexNet patch cables and the related components and accessories.

FlexNet configurator helps you to design your custom, pre-terminated cable assemblies that meet your unique needs of data centre projects of different scale. Engineer has the greatest design flexibility on the cable types, cable termination configurations, custom lengths and colors.



FlexNet Cables and Components Options



Cable Types:

- FlexLite™ 28AWG LSZH Cat6 UTP, Cat6a UTP, U/FTP, S/FTP
- FlexRibbon™ 28AWG LSZH Cat6 UTP, Cat6a U/FTP
- 26AWG Cat6a U/FTP UltraSoft PVC
- 24AWG Cat6 UTP UltraSoft PVC



Jack Modules



Plug Modules



Jack Pack



Blunt (End 2 Only)



Plug Pack 2x2



Plug Pack 2x3



Plug Pack 2x4

FLEXNET BENEFITS & FEATURES

Pactech's FlexNet Cabling Solutions provide a set of pre-terminated cables for faster deployment and lower costs in installation and maintenance at data centers.

FlexNet Cabling Solutions Provide:

- Product quality consistency and performance assurance
- Reduction of downtime during maintenance cycles
- Lower total cost of ownership
- Proven track record in data center deployment

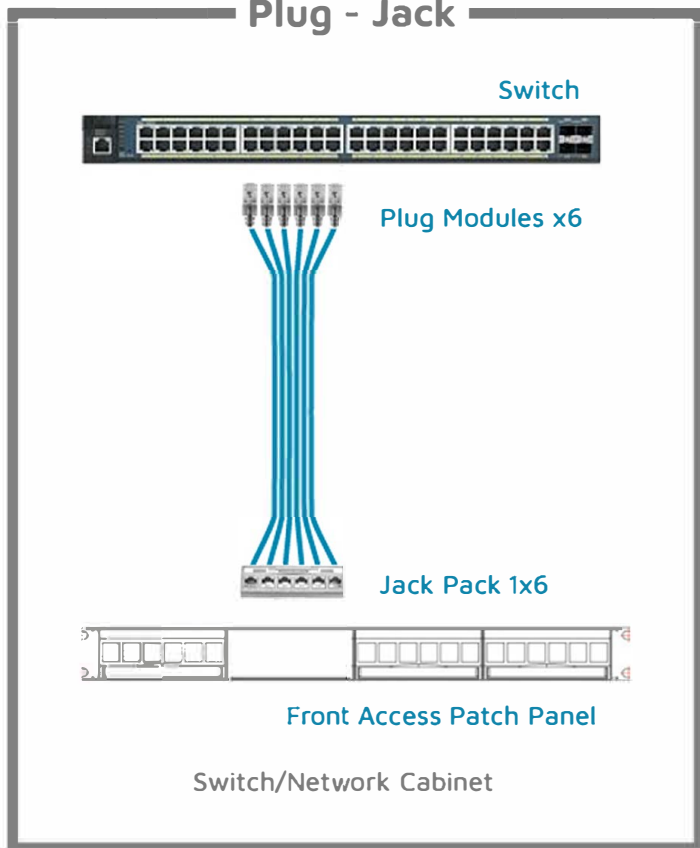
FlexNet Cabling Solutions Feature:

- Custom design with different assembly options
- Modules, Packs and Blunt terminations
- Faster deployment for on-site installation
- Easy snap-in and release
- 100% pre-tested at manufacturing
- Customized lengths for CAT6 and CAT6A cables
- Fluke test reports available upon request
- Configurator tool to build your FlexNet cabling solutions

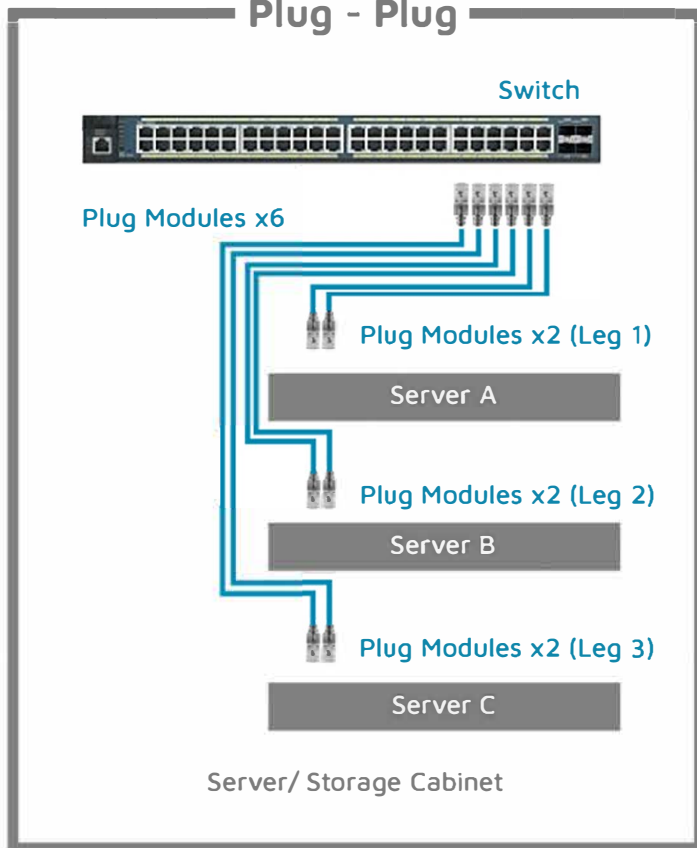


Cabling Solutions — 3 Connection Methods

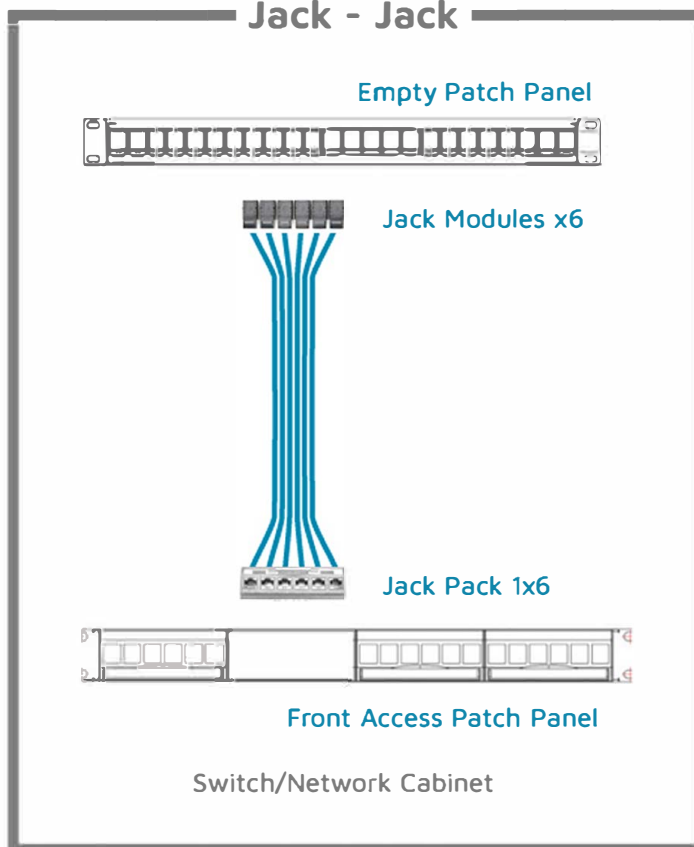
Plug - Jack



Plug - Plug



Jack - Jack



OUR STORY

Founded in 1994 in the Silicon Valley, Pactech started by providing custom cables and wire harnesses for computer systems. As the rapid growth and evolution of the Internet, cloud computing, networking, and storage technologies over the last two decades, our business has quickly become the leading cable solutions provider for systems, data centers, buildings, and infrastructures.

Our mission is to deliver customers comprehensive cable offerings through innovative engineering, quality manufacturing, and supply chain efficiency. We serve a broad range of customers: cloud/service providers, high tech, manufacturing, transportation, utility, medical, and government. We have customers in North America, Asia Pacific, Europe, and Latin America.

CONTACT US

pactech-inc.com

HEAD OFFICE

Toll-free: (866) 722-8324

Phone: (408) 526-9363

Fax: (408) 526-1233

Email: sales@pactech-inc.com

Address: 2260 Trade Zone Blvd. San Jose,
CA. 95131

HONG KONG OFFICE & LOGISTICS CENTER

Phone: +852 2243-5566

Email: hksales@pactech-inc.com

Address: Room 19, 10/F, Kam Hon Industrial
Building, 8 Wang Kwun Road, Kowloon
Bay, Kowloon, Hong Kong

HONG KONG RESELLER:

HM Systems

Phone: +82 3565 5009

Email: info@hmsystems.com.hk

Address: Unit B, 11/F, Block 3, Kwun Tong
Industrial Center, 448-458 Kwun Tong
Road, Kwun Tong, Kowloon

KOREA RESELLER:

D2S Co., Ltd. / Technology Collaboration for People,
LRC & ARS

Phone: +82 70 777 6599

Email: ytleee@digital2s.com

Address: 134th St. 5, 2nd Floor, Bokjeong-Ro,
Sujung-Gu, Sungnam-Shi, Kyunggi-Do,
Korea

MALAYSIA RESELLER:

Excel Commerce Solutions Sdn. Bhd. (712737-T)

Phone: +60 3 8082 7682

Email: sales@excelcomms.com.my

Address: No. 9-8-G, Jalan Jalil Perkasa 15 Aked
Esplanad Bukit Jalil
57000 Kuala Lumpur, Malaysia

INTERNATIONAL CONTACT INFORMATION

USA and Canada: sales@pactech-inc.com

HK and Macau: hksales@pactech-inc.com

China: chinasales@pactech-inc.com

Taiwan: taiwansales@pactech-inc.com

Korea: koreasales@pactech-inc.com

APAC: apacsales@pactech-inc.com

EMEA and Latin America: laesales@pactech-inc.com

Rest of the World: intlsales@pactech-inc.com

